

Custom Position Plus+™ Wheelchair Cushion or Wedge

Thank you for ordering a Skil-Care **Custom Position Plus+™** Cushion or Wedge. The unique gel-pod construction promotes proper positioning by reducing forward sliding and lateral leaning. Designed as a total seating system, **Position Plus+™** each Cushion Wedge provides stability and comfort, relieves interface pressure, and prevents skin-damaging heat build-up. Manufactured for durability, the enclosed cushion or wedge will support a wheelchair user weighing up to 500 pounds.

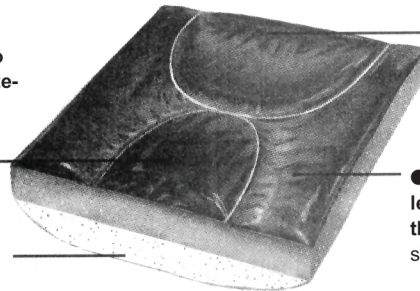
● **FRONT POD** controls sliding. The wheelchair user's weight displaces some of the gel forward to form a low-profile thrust barrier that prevents posterior pelvic rotation. Thrust barrier is available in one-, two-, and three-inch heights to accommodate user's slide control needs.

● **FIRM FOUNDATION** (For sling-seat wheelchairs only.) Eliminates hammocking that causes inner-thigh rotation which encourages sliding.

● **TWO-WAY STRETCH CLOTH COVER** reduces skin shearing. Removes for laundering.

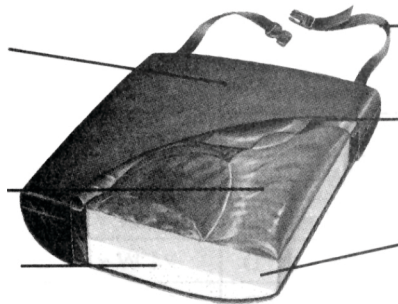
● **WATER-BASED GEL** reduces interface pressure and moves with wheelchair user to provide an alternating pressure effect. Gel's endothermic quality cools the skin to prevent perspiration and the skin breakdown caused by moisture.

● **FIRM FOUNDATION** (For sling-seat wheelchairs only.) Levels wheelchair seat for better weight distribution and pressure reduction.



● **REAR POD** provides additional slide control. A small portion of the gel moves forward as the wheelchair user begins to slide. This creates a wedge effect that aids in slide control.

● **SIDE PODS** improve lateral stability. Left or right leaning is controlled by the outward gel displacement that forms stabilizing wedges at the wheelchair user's sides.



● **SAFETY STRAPS** secure to chair and prevent cushion from slipping off seat

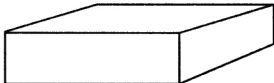
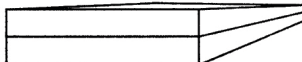


● **INCONTINENT-PROOF INNER COVER** prevents urine from migrating into the cushion. **Factory-sealed vinyl cleans and disinfects easily.**

● **HIGH-DENSITY FOAM** beneath the gel increases comfort and stability.

Important Safety Notice The Position Plus Slide-Guard Cushion's safety straps must be secured to the wheelchair to prevent the cushion from slipping off the wheelchair seat.

Cover Care Instructions The vinyl inner cover may be cleaned with a spray-type cleanser. The cloth outer cover may be removed for laundering. Do not launder or dry cloth covers at temperatures that exceed 180° (82°C). Do not use bleach.

You Ordered:

<p>___ Option #1 754650 Level Cushion for Solid-Seat Wheelchair</p>  <p>Width: _____ Depth: _____</p>	<p>___ Option #2 754655 Wedge for Solid-Seat Wheelchair</p>  <p>Width: _____ Depth: _____</p>	<p>___ Option #3 754660 Level Cushion for Sling-Seat Wheelchair</p>  <p>Width: _____ Depth: _____</p>	<p>___ Option #4 754665 Wedge for Sling-Seat Wheelchair</p>  <p>Width: _____ Depth: _____</p>
---	--	---	--

To order additional **Custom Position Plus+™** cushions or wedges, please use order form on second page

Custom Position Plus™ Cushions and Wedges

Date: _____ PO#: _____ Phone: _____ Patient Name: _____

Ordered by: (Print) _____ Signature: _____

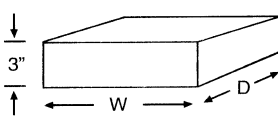
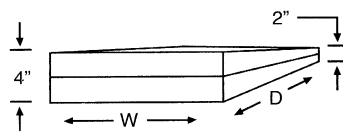
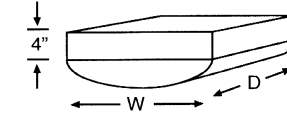
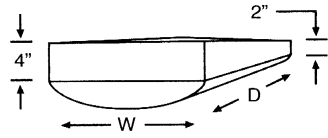
Ship to: (Print) _____ Bill to: _____

Ordering Instructions:

1. All orders for Custom Position Plus Cushions and Wedges must be on this form. Telephone orders cannot be accepted. If you use a standard purchase order, it must be accompanied by this form.
2. Only one cushion or wedge may be ordered per form. For multiple Custom Position Plus Cushion and Wedge orders, please copy this sheet or request additional copies from Skil-Care Corporation.
3. Select the cushion or wedge style you wish to order and check the option box number at bottom of page. Choose the cushion or wedge width and depth from the chart below and indicated it in your option box.

14"W x 16"D	_____	_____	_____	_____	_____	_____
16"W x 16"D	16"W x 18"D	_____	_____	_____	_____	_____
18"W x 16"D	18"W x 18"D	18"W x 20"D	18"W x 22"D	18"W x 24"D	18"W x 26"D	18"W x 28"D
20"W x 16"D	20"W x 18"D	20"W x 20"D	20"W x 22"D	20"W x 24"D	20"W x 26"D	20"W x 28"D
22"W x 16"D	22"W x 18"D	22"W x 20"D	22"W x 22"D	22"W x 24"D	22"W x 26"D	22"W x 28"D
24"W x 16"D	24"W x 18"D	24"W x 20"D	24"W x 22"D	24"W x 24"D	24"W x 26"D	24"W x 28"D
26"W x 16"D	26"W x 18"D	26"W x 20"D	26"W x 22"D	26"W x 24"D	26"W x 26"D	26"W x 28"D
28"W x 16"D	28"W x 18"D	28"W x 20"D	28"W x 22"D	28"W x 24"D	28"W x 26"D	28"W x 28"D
30"W x 16"D	30"W x 18"D	30"W x 20"D	30"W x 22"D	30"W x 24"D	30"W x 26"D	30"W x 28"D

Important Notice: Custom Position Plus Cushions and Wedges are made to the specifications you provide on this sheet. They are non-returnable for reasons other than defects in workmanship or materials. If you have any questions, please call Skil-Care Customer Service at 800-431-2972

<p>___ Option #1 Level Cushion for use with solid seat</p>  <p>Indicate Width: _____ Depth: _____</p>	<p>___ Option #2 Wedge Cushion for use with solid seat</p>  <p>Indicate Width: _____ Depth: _____</p>	<p>___ Option #3 Level Cushion for use with sling seat</p>  <p>Indicate Width: _____ Depth: _____</p>	<p>___ Option #4 Wedge Cushion for use with sling seat</p>  <p>Indicate Width: _____ Depth: _____</p>
<p>Model: 754650</p>	<p>Model: 754655</p>	<p>Model: 754660</p>	<p>Model: 754665</p>

All cushions and wedges include factory sealed vinyl cover and low-shear cloth outer.